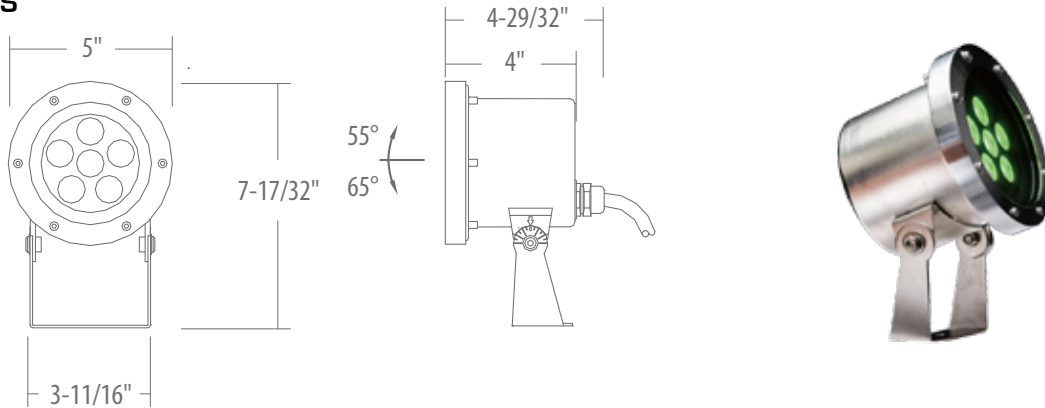


**APPLICATION**

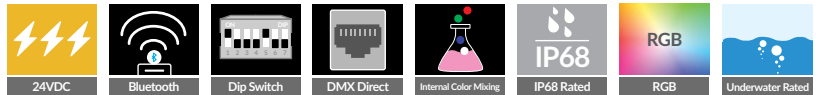
ColorFlood Aqua: For use in Fountains, water elements, and water features indoors or out. High-quality, color-changing fixtures for high-impact effects.

- 30W (6-LED) 650 Max. Lumen
- DMX control via Dip switch selection via Remote Data Enabler
- IP68 Rated
- Die-Cast 316L Stainless Steel
- LED Die Colors: RGB
- Static Colors Available
- Using InternaMix™ proprietary technology, colors are efficiently blended together through an internal mixing chamber. The one-color output reduces unsightly views of isolated rainbow like striations and rainbows.
- Smooth and flicker-free dimming of all colors down to 1% using patented color mixing and dimming technologies developed at Philips Color Kinetics®
- 3 Year Warranty

**DIMENSIONS**



**ORDERING** – Example: SS6-RGB-6R





**HOUSING**  
 SS6-RGB-6R

**PHOTOMETRY**

**FOOTCANDLE CALCULATION: SS6-RGBW-3R**

HEIGHT	FC	BEAM SPREAD
10'	39	47"
15'	16	56"

**ACCESSORIES**

96W UL Listed Class II Power Supply • 120V-277V Input • Electrical Junction Box Included • Each power supply energizes up to 6 lights.	LD533V024-1227-96-JB 
4 Channel Miniature Data Enabler • 12V or 24 DC Input • cETLus listed • DmX-512 (1990) & Pre-Programmed Control	SDE24V 

2019.07.14

## SPECIFICATIONS

### OUTPUT

Beam Angle: 30° Degree

Lumens: 650 Max. Lumen

Efficacy (lm/W): 21.6lm/W

LED Channels: Red/Green/Blue

### ELECTRICAL

Input Voltage: 24V Low Voltage Power

Power Consumption: 30W

### CONTROL

Interface: DMX Direct via remote data enabler

Control System: DirectDMX Color Control. Color controlled with USITT DMX512A Standard Protocol to work with Coloronix or 3rd Party DMX Systems.

LED Die Colors: Red (620-635nm), Green (520-535nm), Blue (450-465nm)

Static Color Available: All Standard Colors, Consult Factory.

Dimming: Smooth and flicker-free dimming of all colors down to 1% using Patented Color Mixing and Dimming technologies developed at Philips Color Kinetics<sup>®</sup>

Color Mixing: Using InternaMix<sup>™</sup> proprietary technology, colors are efficiently blended together through an internal mixing chamber. The one-color output reduces unsightly views of isolated Red, Green and Blue Diodes for a seamless rainbow-free appearance.

### LUMEN MAINTENANCE

L70 Life: 35,000 Hours for ambient temperatures under 100°F.

### PHYSICAL

Dimensions (Height x Width x Length): 7-17/32" x 5" x 4"

Housing Material: Made of die-cast 316L stainless steel to protect light emitting diodes, other electronics and preserve optical alignment. Steel screws installed on face plate for a tight gap-free installation onto housing. Cast aluminum tightenging allows for 90° Tilt and 360° Rotation.

Weight: 4lbs

Lens: PMMA Impact Resistant

Connections: 4-wire hardwire connection, 10' lead

Mounting: Stainless Steel, Adjustable Yoke for easy installation

Temperature Range: -20C - 40C (-4F to 104F)

Environment: Wet Location IP68

### CERTIFICATION

ANSI/UL 1598 and UL8750, IP68

### WARRANTY

3-Year Warranty

## TYPICAL WIRING DIAGRAM

